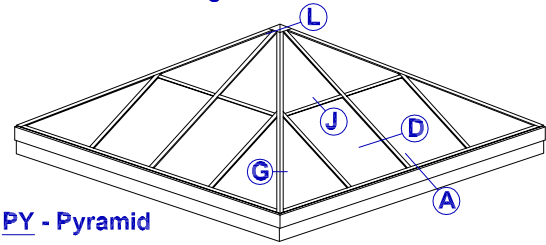


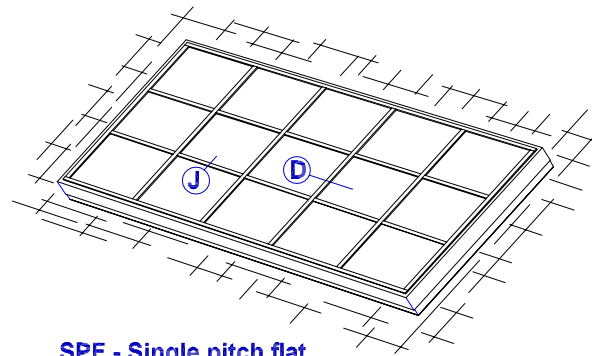
# ARCHITECTURAL - 08630 METAL FRAMED SKYLIGHTS

## CONFIGURATIONS USING GLASS

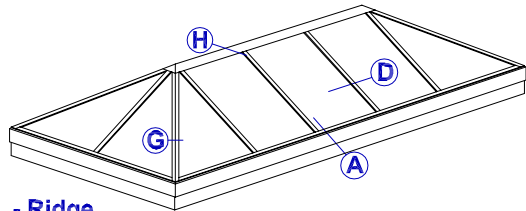
EXARC Slope glazed system accommodates custom pitch, size and configuration requirements with standard connection designs.



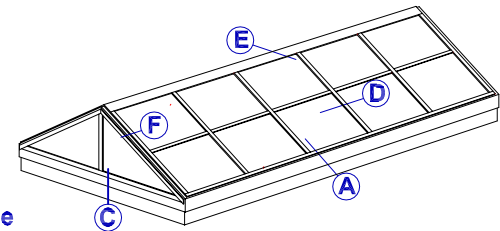
**PY - Pyramid**



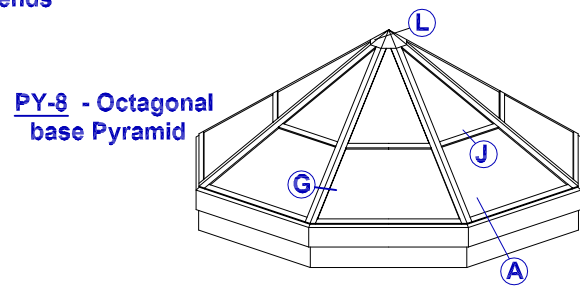
**SPF - Single pitch flat**



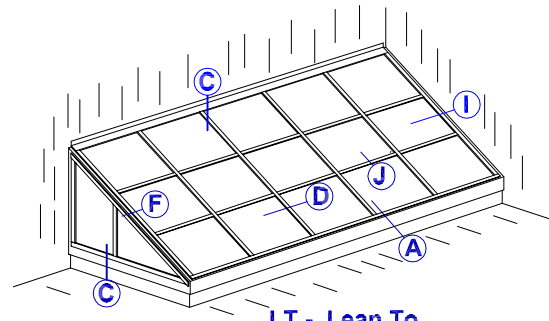
**RG-HE - Ridge with hipped ends**



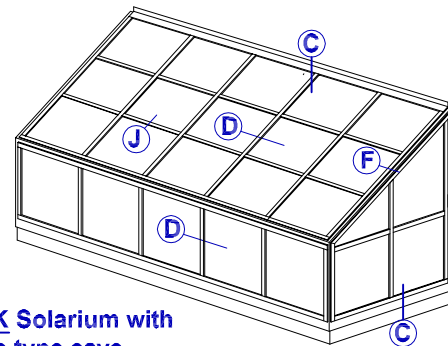
**RG-VE - Ridge with vertical ends**



**PY-8 - Octagonal base Pyramid**

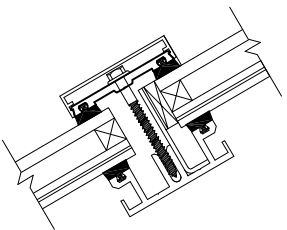


**LT - Lean To**

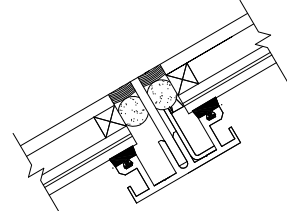


**SL-K Solarium with knee type eave**

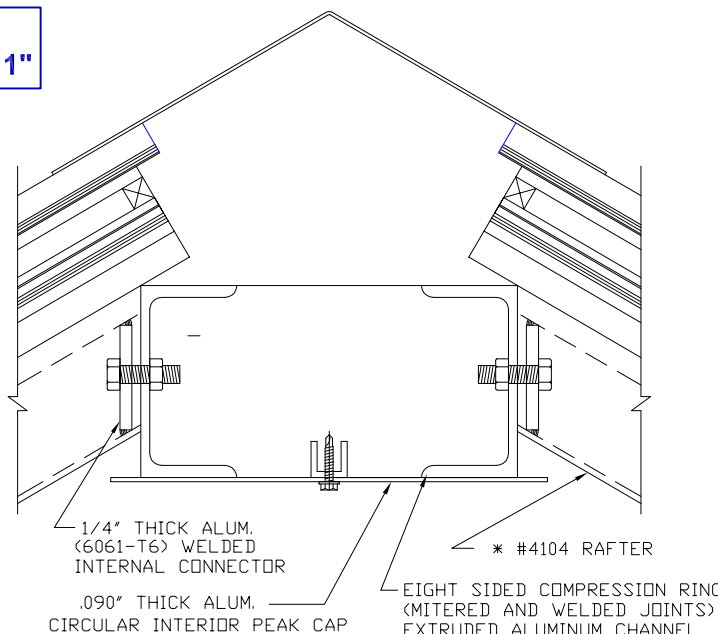
### TYPICAL SECTIONS WITH INSULATED GLASS 1/4" = 1"



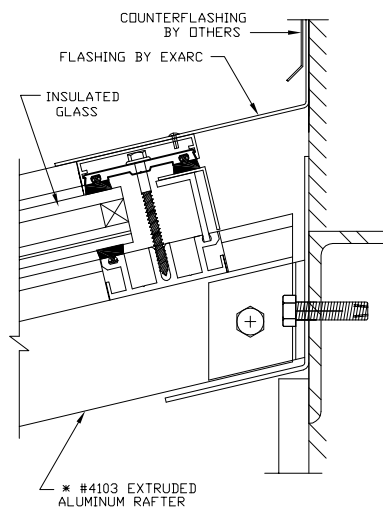
**J PURLIN WITH GLAZING CAP**



**K PURLIN FLUSH GLAZED**

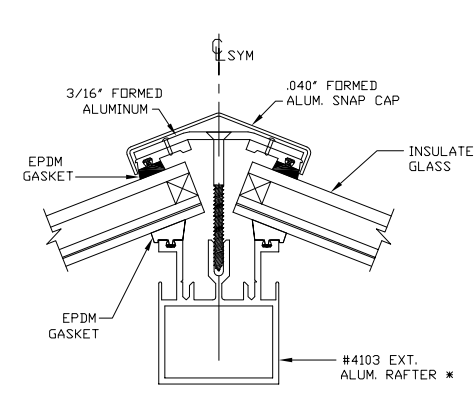


**L SECTION - COMPRESSION RING AT PEAK OF PYRAMID**

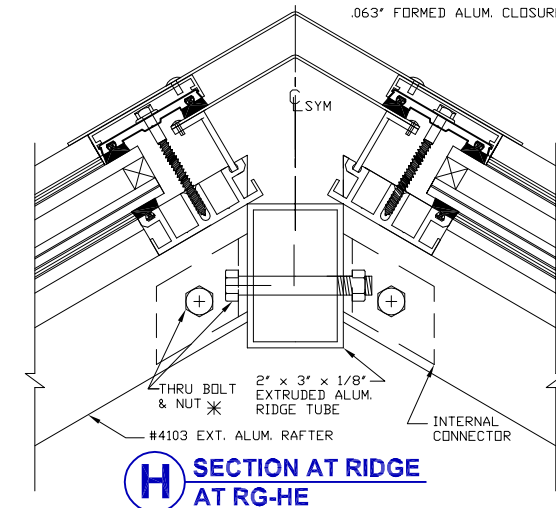


**M HEAD CONNECTION TO WALL**

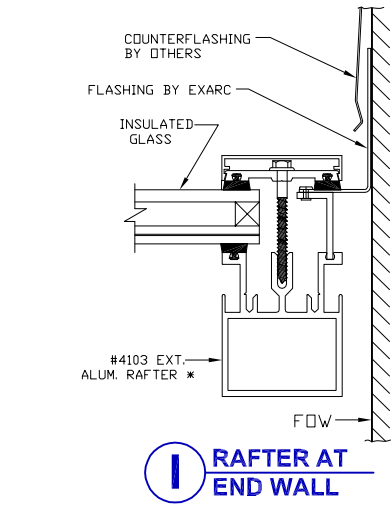
### TYPICAL SECTIONS WITH INSULATED GLASS 1/4" = 1"



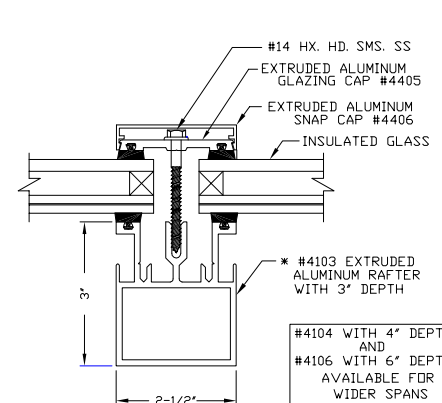
**G HIP RAFTER**



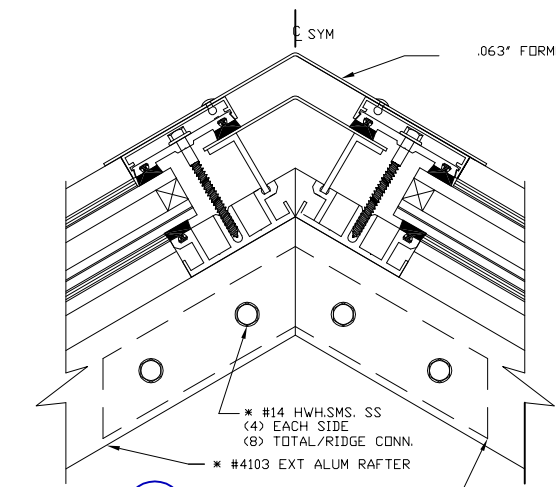
**H SECTION AT RIDGE AT RG-HE**



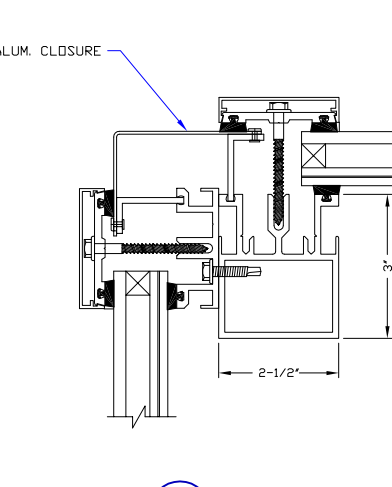
**I RAFTER AT END WALL**



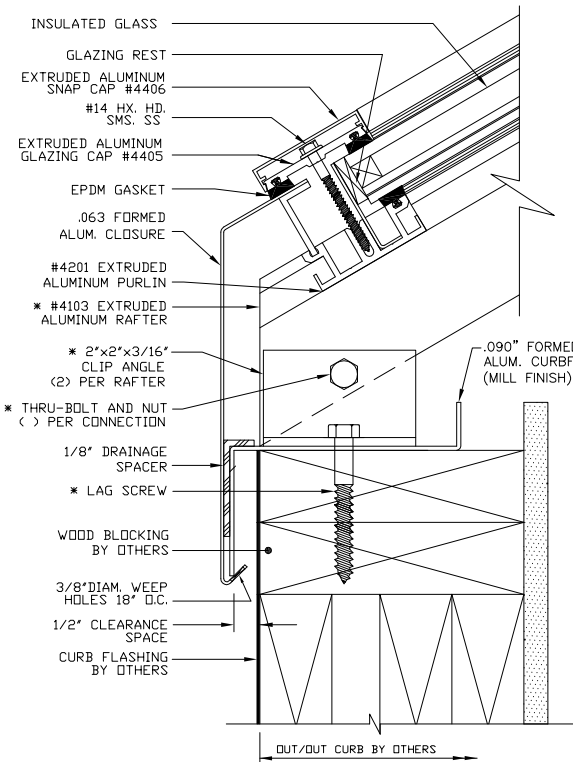
**D TYPICAL RAFTER ASSEMBLY AT SLOPED GLAZING**



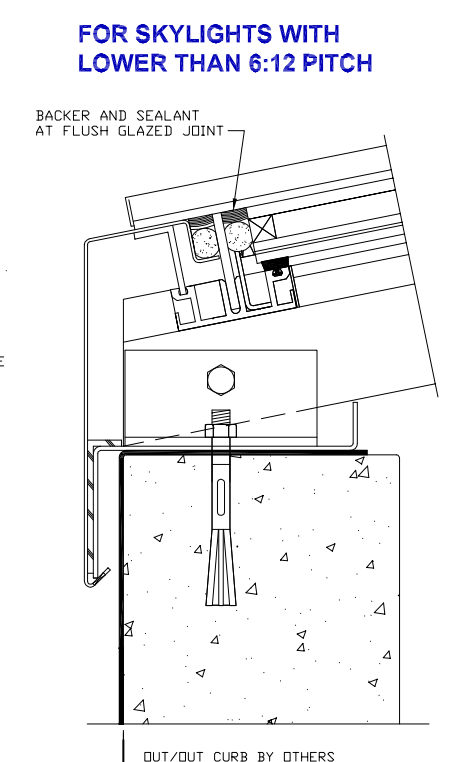
**E SECTION AT RIDGE AT RG-VE**



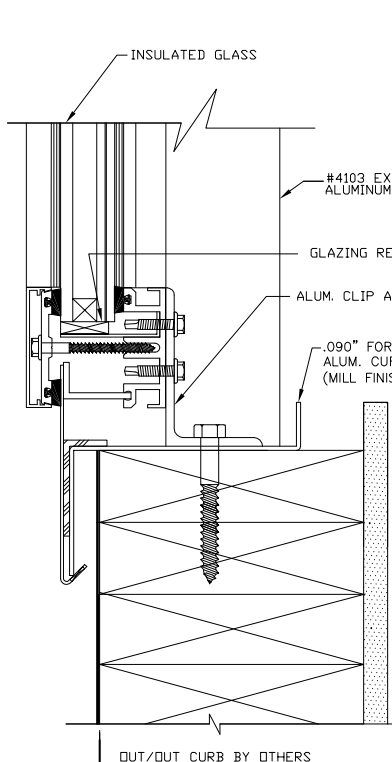
**F END RAFTER**



**A TYPICAL RAFTER CONNECTION TO CURB AT SILL OF SLOPED GLAZING**



**B CONNECTION TO CURB AT TWO SIDED FLUSH GLAZED SYSTEM**



**C SILL CONNECTION AT VERTICAL GLAZED END**